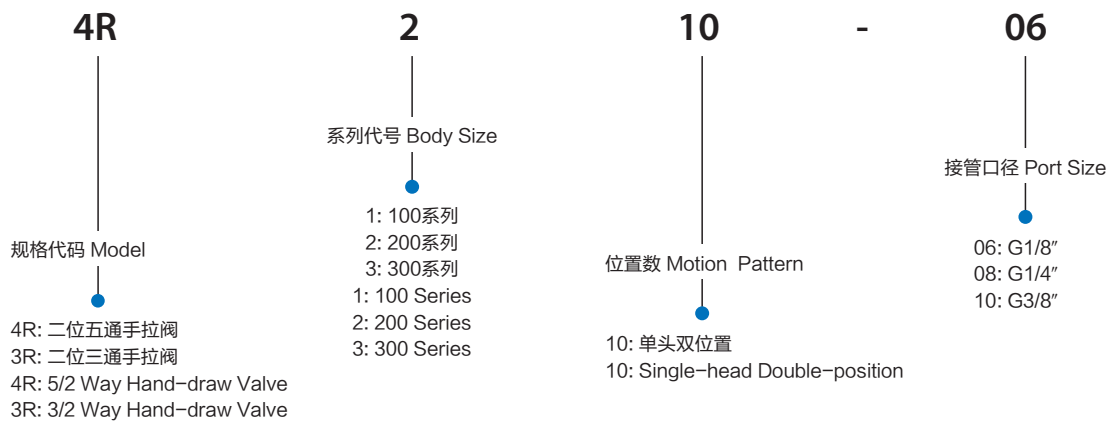




订购码 Ordering Code



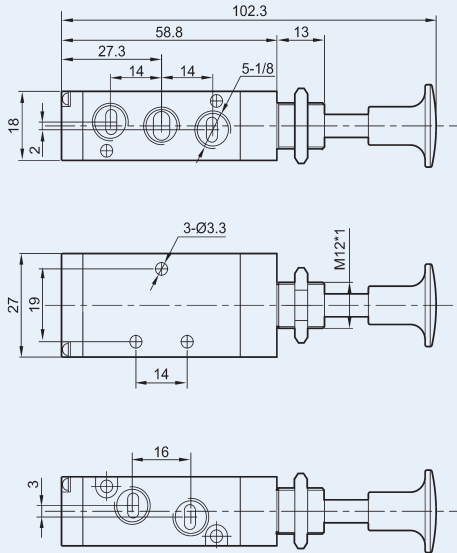
电磁阀
Solenoid Valve

规格 Specification

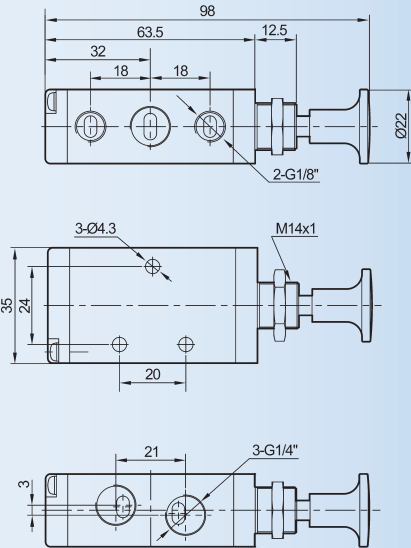
型号 Model	4R110-06	4R210-06	4R210-08	3R210-06	3R210-08	4R310-08	4R310-10	3R310-08	3R310-10
工作介质/Working Medium	经40微米过滤的空气 40 Micron Filtered Air								
位通数/Position and Way NO.	二位五通 5/2 Way		二位三通 3/2 Way		二位五通 5/2 Way		二位三通 3/2 Way		
有效截面积 Effective Sectional Area	10mm ² (CV=0.56)	14mm ² (CV=0.78)	16mm ² (CV=0.89)	14mm ² (CV=0.78)	16mm ² (CV=0.89)	25mm ² (CV=1.40)	30mm ² (CV=1.68)	25mm ² (CV=1.40)	30mm ² (CV=1.68)
接口口径/Port Size	进气 = 出气 = 排气 = G1/8" Air Inlet = Air Outlet = Exhaust = G1/8"		进气 = 出气 = 排气 = G1/4" Air Inlet = Air Outlet = Exhaust = G1/4"	进气 = 出气 = 排气 = G1/8" Air Inlet = Air Outlet = Exhaust = G1/8"	进气 = 出气 = 排气 = G1/4" Air Inlet = Air Outlet = Exhaust = G1/4"	进气 = 出气 = 排气 = G1/4" Air Inlet = Air Outlet = Exhaust = G1/4"	进气 = 出气 = 排气 = G1/4" Air Inlet = Air Outlet = Exhaust = G1/4"	进气 = 出气 = 排气 = G1/4" Air Inlet = Air Outlet = Exhaust = G1/4"	进气 = 出气 = 排气 = G3/8" Air Inlet = Air Outlet = Exhaust = G3/8"
使用压力范围/Working Pressure	0~0.8MPa								
使用温度范围/Operating Temperature	0~60℃								

外形尺寸 Overall Dimension

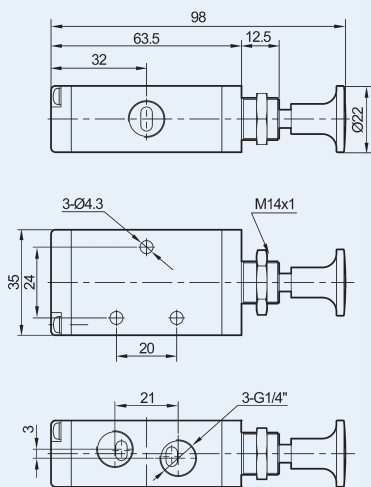
4R110-06 



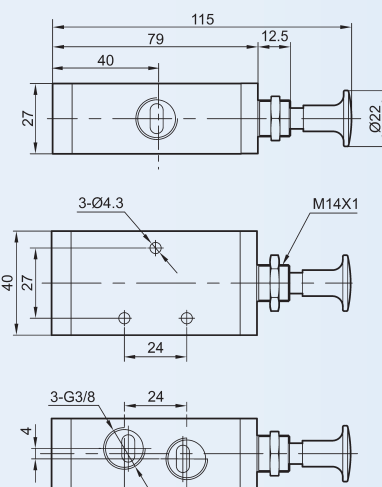
4R210-08 



3R210-08 



3R310-10 



4R310-10 

